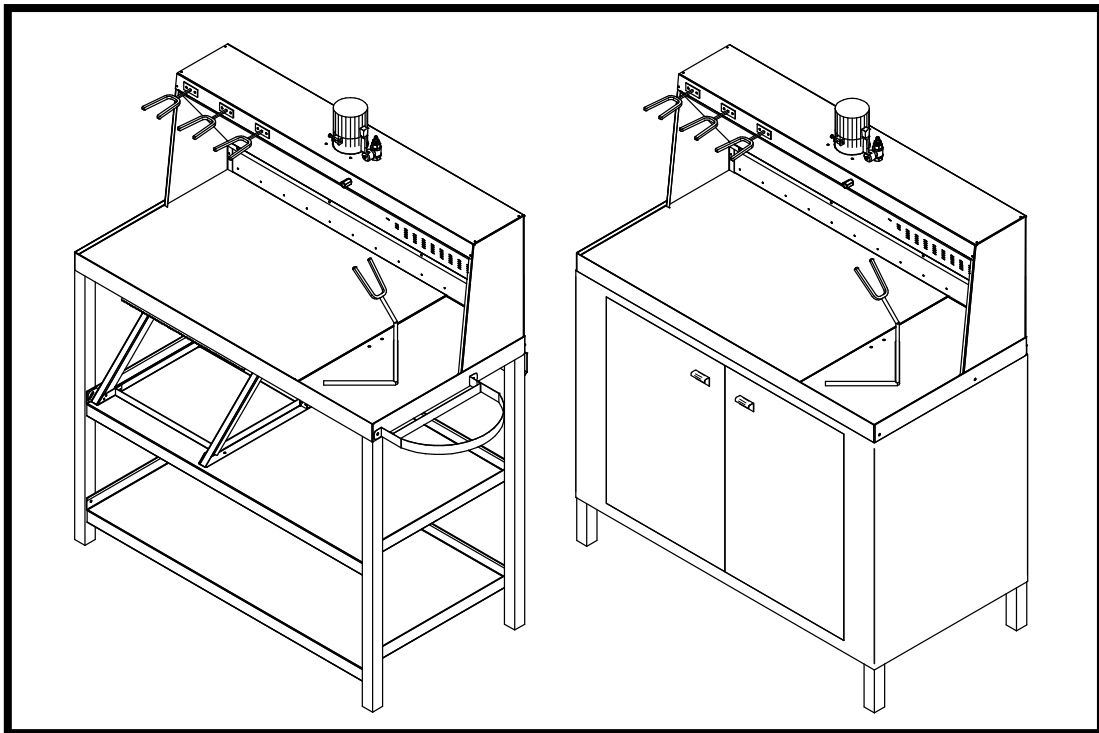


Painty-02/-03/-04

Mixing- and Preparation Table



Operating Manual
for Mixing- and Preparation Table Painty
– Translation of German Original Document –

Table of Contents

1.	Important Information	1
1.1.	Explanation of the Symbols	1
1.2.	Operating Instruction	1
1.3.	Liability and Warranty	1
1.4.	Intended Use	2
1.5.	Requirements to be the Operator	2
2.	Safety Requirements	2
2.1.	General Safety	2
2.2.	Operational Safety.....	3
2.3.	Hazards from Pneumatic Energy	4
3.	Technical Description of the Product	5
3.1.	Technical Data	5
4.	Zone and Product Classification according to ATEX	6
5.	Requirements for the Installation Site	6
6.	Transport and Installation	7
6.1.	Assembling Painty-02/-03	7
6.2.	Exhaust Ducting Painty-02/04	8
6.3.	Exhaust Ducting Painty-03.....	9
6.4.	Compressed Air Connection	9
6.5.	Grounding / Earthing.....	9
7.	Safety Inspection Checklist.....	10

1. Important Information

Thank you for the trust you placed in us by purchasing this B-TEC product. B-TEC products have been designed and manufactured to the highest quality standards for best operational safety.



Read this document carefully before putting the device into operation and keep it for future reference.

On page 10 of this manual, there is a form for documenting the safety inspections to be carried out at regular intervals. The form has to be filled in by specialist technicians (persons with sufficient knowledge and experience or manufacturer's technicians) or experts (e.g. engineers or Technical Control Board experts).



A safety inspection must be carried out before commissioning and at least once a year.

B-TEC products are to be used solely in accordance with the intended use. Usage not in accordance with the intended use as well as unauthorised modifications invalidate the liability of the manufacturer for any damages resulting from this. Detailed information regarding intended use as well as liability and warranty can be read in section 1.3 and 1.4.



The B-TEC products are only to be used according to the intended use. Improper use of the product can endanger the health of the operator.

1.1. Explanation of the Symbols

To directly draw attention to important information in this operating manual, the symbols "Caution!" and "Notice!" are used. Please note that paragraphs with these symbols need particular attention.

Caution!



You will see this symbol whenever attention is drawn to situations in which danger to life can arise due to or during incorrect or improper operation. Pay special attention to these symbols and act carefully.

Notice!



You will see this symbol in the operating manual whenever your attention is being drawn to correct work procedures, economic ways of operating or when the device may be damaged by incorrect operation.

1.2. Operating Instruction

The responsible person within the company where the device is placed has to create operating instructions in accordance with the "Occupational Safety and Health Regulations" applicable in the respective country. The operating instructions must be adapted to the fluids used and country of application.

1.3. Liability and Warranty

The product is state of the art, tested and operationally safe. Liability for the function of the product is transferred to the operating company, if the product is improperly maintained or repaired by persons who are not authorised by the manufacturer and / or supplier, or if it's used against the intended use and the instructions of the user manual. The operator is obliged to operate the product only when in immaculate condition. The manufacturer is liable for errors or omissions - to the exclusion of further claims - only within the scope of the statutory warranty obligations. We reserve the right to make

technical changes any time for continuous development and improvement of our products. Such changes, mistakes and misprints do not constitute a claim for damages. Only original spare parts and accessories are to be used. The manufacturer and / or supplier is not responsible for damages caused by ignoring the instructions in this operating manual. Warranty and liability conditions of the manufacturers and / or supplier sales and delivery terms are not extended by the above notes.

B-TEC warrants its products to be free from defects in materials and workmanship, for a period of 24 months on a one shift basis. In case of exceptional usage such as multiple-shift operation, the statutory warranty is shortened to 12 months (two-shift operation) or 8 months (three-shift operation). The period starts from the date the machine is shipped from the factory. The guarantee expires prematurely if the customer or a third party undertakes inappropriate modifications or repairs or if the customer, in case of a defect, does not immediately take all appropriate steps to mitigate the damage and give the supplier the possibility of remedying such defect.

1.4. Intended Use



This mixing- and preparation table may only be used for its intended purpose. It is not intended for other purposes than the following terms. The manufacturer/supplier is not liable for any damages resulting from improper use.

The working tables Painty are mixing- and preparation tables for paints and solvents.

This product is for commercial use only, but not for continuous operation (e.g. serial production).

This product does not have any ignition source and is therefore not subject to ATEX-Directive 2014/34/EU. Operation in an ex-zone (e.g. zone 1) is therefore possible.

Improper use of the product can endanger the health of the operator and of others and cause damage to the product itself or to other objects. Any other use of the product must be agreed and approved with the manufacturer in advance.

1.5. Requirements to be the Operator

The product may only be used by competent personnel who, by virtue of their training, knowledge or experience, ensure proper handling and are aware of the dangers (for example, by reading the operating manual).

2. Safety Requirements

2.1. General Safety

The product is built according to the state of the technology and can be operated safely. However, this does not mean that the consequences of all operational failures are protected by technical measures. Dangers can arise from this product if it is used improperly or incorrectly. However, additional organisational measures have to be taken into account for certain workflows, such as the removal of residual paint from the gun.

- Read and follow the operating instructions for the product as well as the safety instructions before commissioning.
- Always keep the manual available in the immediate vicinity of the product.

- The product may only be operated by trained personnel. Operators under the age of 18 are only allowed to operate the product when under supervision of an expert.



For some users, hazard assessment activity restrictions may result, e.g. for persons with chronic respiratory problems or allergic diseases as well as for pregnant women or nursing mothers.



For the correct operation of the product, the safety and operating instructions are valid in all cases. These must be read carefully and followed strictly!

The manufacturer recommends to strictly follow the occupational safety provisions, rules and information applicable in the respective country for using spray gun and part cleaning systems such as the following examples: "Accident prevention - Principles and prevention", "Safety and health protection warnings at the workplace", "Safety rules for air pollution control systems for the workplace", "Safe use of the product by following operating instructions", "Safe use of the machine by following operating instructions", "Avoidance of ignition from electrostatic charges", "Guidelines for facilities for cleaning parts with solvents", "Use of protective clothing", "Use of eye and face protection", "Use of protective gloves", "Industrial Safety".

2.2. Operational Safety

- The product may only be operated, if:
 - the integrated suction system (Venturi system with flexible exhaust hose) is connected and the resultant (solvent-) fumes are safely discharged to the outside in the free air in order to avoid fire, explosion and health hazards. See section 6.2.
 - grounding / earthing is ensured using a grounding cable (potential equalisation)! Connection must be carried out by a specialist. See section 6.5.
- In all cases, the local safety and accident prevention rules for the use of the product must be followed.
- Fire, naked flame and smoking prohibited.
- Open fires and other sources of ignition (e.g. due to grinding or welding, any flying sparks) are not allowed within a radius of 1 metre around the product. This applies also e.g. for lighting and fans as well as the associated electrical components.
- Depending on the cleaning application, use the required personal protective and chemical resistant protective equipment. The minimum required protective equipment is eye protection and gloves. Optionally protective clothing and safety shoes are recommended.

Minimal requirement:



Optional:



- Ensure that clothing (especially footwear) is conductive.
- Do not place the protective equipment on the product.



- If clothing has been wetted with solvent / cleaning fluid, smoking is also prohibited outside the Ex-zone. Take off the contaminated clothing immediately. There is risk of skin irritation, allergies, etc. Persons wearing contaminated clothing must not be exposed to sources of ignition (e.g. welding). Risk of fire.
- Compliance with country-specific workplace exposure limits legislation according to safety data sheets must be documented.
- The limit values of the country specific air pollution and adherence thereto must be observed.
- Do not eat or drink near the product. Clean your hands before eating any food or drink after working. Danger of poisoning!

2.3. Hazards from Pneumatic Energy

Only specialists with expert knowledge and experience may work on pneumatic products. When working on pneumatic systems, these must be disconnected from the air supply and de-pressurised in order to prevent injury.

3. Technical Description of the Product

Painty-02/-03

The Painty-02/-03 is a mixing and preparation table with drain covered with gratings. Both models are equipped with: 4 x spray gun holder, 1 x paper roll holder, 1 x refuse sack holder.

The product Painty-02 has a strong exhaust suction system and is operated exclusively by pneumatic parts. The product Painty-03 has a 150mm exhaust air connection for existing local exhaust air systems.

Painty-04

Der Painty-04 is a mixing and preparation table with drain covered with gratings. It has 4 x spray gun holder and a lockable base cabinet with two stable storage shelves made of stainless steel.

The product Painty-04 has a strong exhaust suction system on the table work area and in the base cabinet. It is operated exclusively by pneumatic

3.1. Technical Data

Compressed air connection

Operating pressure: max. 6 bar
Compressed air demand Painty-02/04: 150 l/min

Exhaust air flow rate at 0.2 m/s

Painty-02 and Painty-04: 510 m³/h
Painty-03 (without integrated extraction): 0 m³/h

Product dimensions

Painty-02 (Width × Height × Depth): 1180 x 1510 x 600 [mm]
Painty-03 (W × H × D): 1800 x 1510 x 600 [mm]
Painty-04 (W × H × D): 1180 x 1510 x 600 [mm]

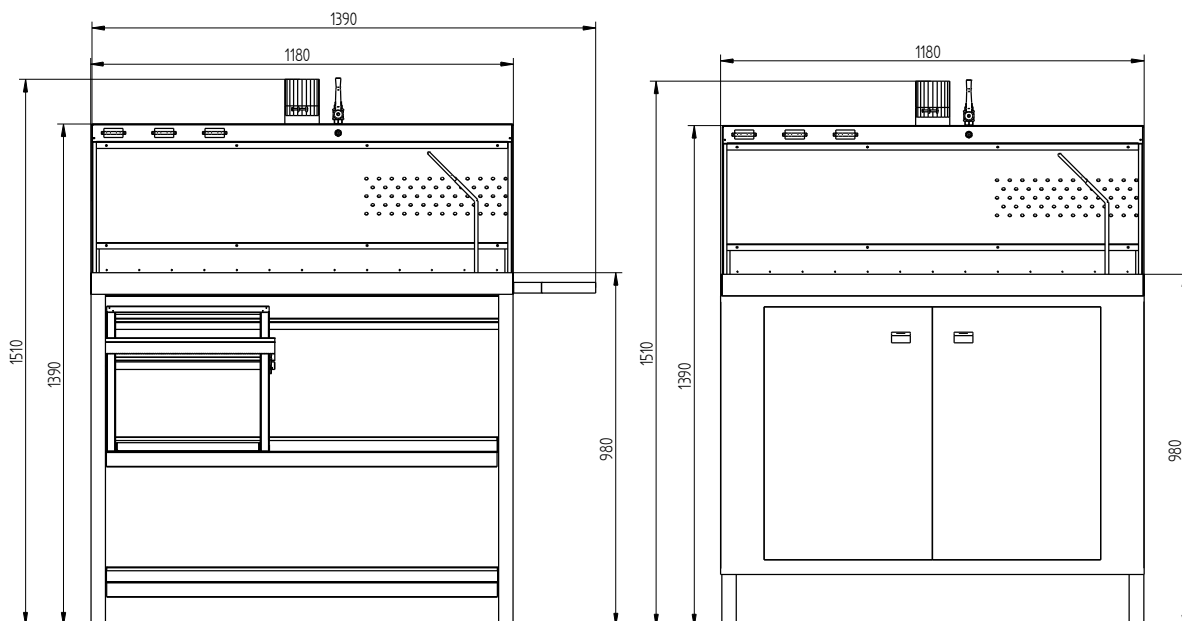


Figure 3-1

- Technical changes and errors reserved. All pictures similar –

4. Zone and Product Classification according to ATEX

This product does not have any ignition source and is therefore not subject to ATEX-Directive 2014/34/EU. Operation in an ex-zone (e.g. zone 1) is therefore possible.

In accordance with legal requirements, the ATEX zone definition around the product and creation of an explosion protection document comes under the responsibility of the "responsible person of the company" where the product is placed as this classification is subject to the cleaning fluid used and various conditions such as ventilation.

However, at this point the operator should be supported with general advice to comply with this obligation. Helpful advice can also be found in EN 12921-1 and -3 and EN 13463-1.

If using the product with flammable fluids, the following zone designation can be applied:

Zone 1 → The mixing and working area

Zone 2 → Surroundings within 1.0 m

Mark the different zones with appropriate warning and prohibition signs. Markings on the floor can be helpful. In the area surrounding the product, open flames and other ignition sources (e.g. welding or grinding equipment) are not allowed. In addition, smoking is prohibited. Temporary work causing ignition sources must be approved in writing and appropriate additional safety measures must be applied (e.g. remove all combustible materials; firefighting equipment must be on hand in the working area.)

5. Requirements for the Installation Site

- Horizontal industrial floor with electrical resistance of max. 10^8 Ohm.
- Dry and protected from frost.
- Very good technical room ventilation with 5-7 air changes per hour (Depending on local regulations).
- Do not install or operate the product within a radius of 1.5 m from heat sources.
- Ensure an ambient temperature of 5 °C – 40 °C and do not expose the product to direct sunlight, as this carries a risk of overheating.
- Follow the relevant legislative and regulatory safety instructions regarding substances hazardous to water applicable in the country where the product is installed.
- Follow the safety regulations according to zone designation.

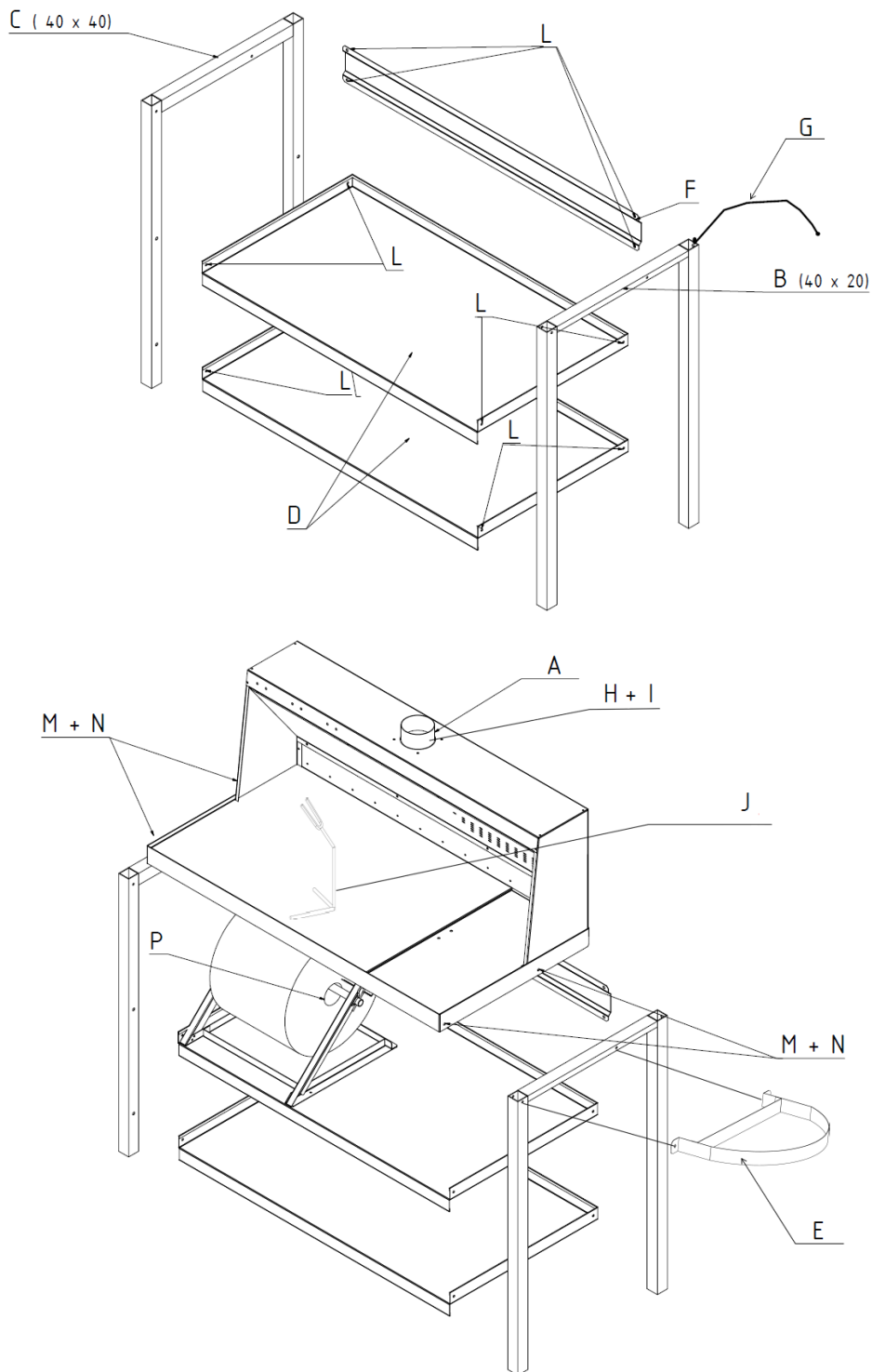
Space Requirements for Operation and Maintenance

The product can be placed against the wall or in a corner. A 1.5 m space should be provided in front of the product.

6. Transport and Installation

The product is delivered packed. Unpack the product outside an explosive atmosphere and bring it to the installation site. Install the product as described in the following sections.

6.1. Assembling Painty-02/-03



6.2. Exhaust Ducting Painty-02/04

The exhaust air hose must be integrated in the exhaust system at the installation site and must be routed outdoors properly into the so-called "free air space". Place the exhaust air hose vertically, a minimum of one metre for optimal function of the exhaust system and stretch the hose as far as possible in order to avoid a reduced cross-section. In this way optimal exhaust suction will be achieved.

Ensure that fumes are not directed into areas where people are likely to be. The exhaust air has to be led away safely. That means according to ATEX and especially not into flues serving furnaces or fireplaces and not into the exhaust ducts of spraying and drying cabinets. In case the exhaust system conditions at the installation site require a longer exhaust air hose or the instructions in how to route the exhaust air system cannot be complied with, please contact an ATEX-ventilation system specialist to ensure safe operation.

It's recommended not to connect the product directly to a rigid pipe. Use at least 30-40 cm of the flexible B-TEC exhaust hose to ensure that the product can be relocated or repaired conveniently if necessary.

Diameter of exhaust hose: $\varnothing 125$ mm

The exhaust air flow rate can be adjusted at the flow adjuster as needed depending on the length of the duct.

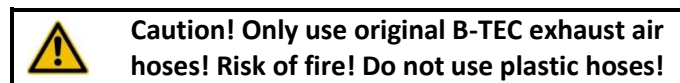


Figure 1 - Painty-02 – Extraction for diameter 125mm



Figure 2 - Painty-04 – Extraction for diameter 125mm

6.3. Exhaust Ducting Painty-03

The Painty-03 comes without integrated extraction nozzle, but comes with a preparation for an on-site air extraction. The on-site air extraction can be connected to the Painty-03 with a $\varnothing 150$ mm exhaust hose. The connection is on the roof of the table.

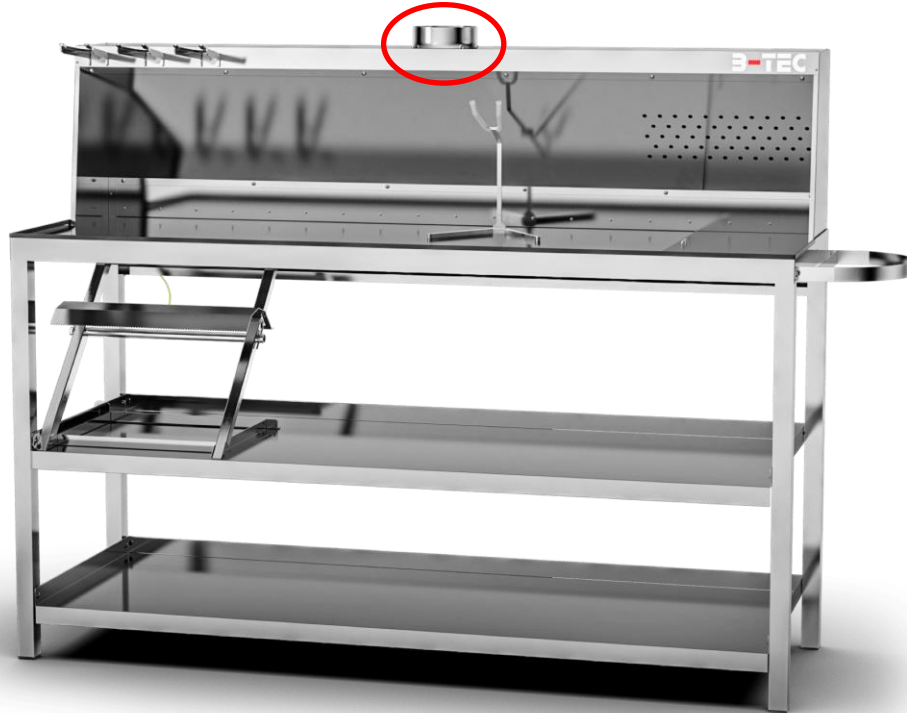


Figure 3 - Painty-03 - Extraction prepared for diameter 150mm

6.4. Compressed Air Connection

A compressed air supply is needed for the product.



Operating pressure max.: 600 kPa (6 bar , 87 psi)

Operating pressure min.: 500 kPa (5 bar , 73 psi)



A **pressure regulating valve (Item no.: 10000619)** has to be fitted if the compressed air connection exceeds the required operating pressure. Use only **dry and oil-free air!**

6.5. Grounding / Earthing



The product has a grounding / earthing connection and may not be operated without being grounded!

The product has a grounding / earthing cable, which needs to be grounded / earthed safely by a competent person (e.g. electrician). **Customer-provided containers have to be grounded separately!**

After proper installation and mounting of the exhaust hose, connection to the compressed air supply and grounding, the product can be commissioned.

- Technical changes and errors reserved. All pictures similar -

7. Safety Inspection Checklist

Please make copies before filling out for the first time!

 **Safety inspections must be carried out at least once a year! Audit according to the applicable document regarding European Council Directive 2009/104/EC in the respective country.**

Model: _____

Year of construction: _____

Customer/Operator: _____

<u>Item checked</u>	OK	Missing or faulty	Recheck
1. Operating manual / Instructions available	<input type="checkbox"/>	<input type="checkbox"/>	<input type="checkbox"/>
2. Condition of hoses and connectors*	<input type="checkbox"/>	<input type="checkbox"/>	<input type="checkbox"/>
3. Cabinet not leaking and undamaged	<input type="checkbox"/>	<input type="checkbox"/>	<input type="checkbox"/>
4. All functions intact and properly set	<input type="checkbox"/>	<input type="checkbox"/>	<input type="checkbox"/>
5. Grounding / Earthing wire connected	<input type="checkbox"/>	<input type="checkbox"/>	<input type="checkbox"/>
6. Extraction works	<input type="checkbox"/>	<input type="checkbox"/>	<input type="checkbox"/>

* Check for brittleness, tight connections, etc.

Remarks:

Name of inspector: _____

Company: _____

Date: _____

Result of the safety inspection

- No faults, can be operated without restrictions
- Restricted operation, faults to be fixed by date _____.
- Operation not permitted. Re-inspection necessary.

Date, place, signature of expert technician

Signature of operator

Faults fixed and re-inspection successful

Date, place, signature of expert technician

Signature of operator