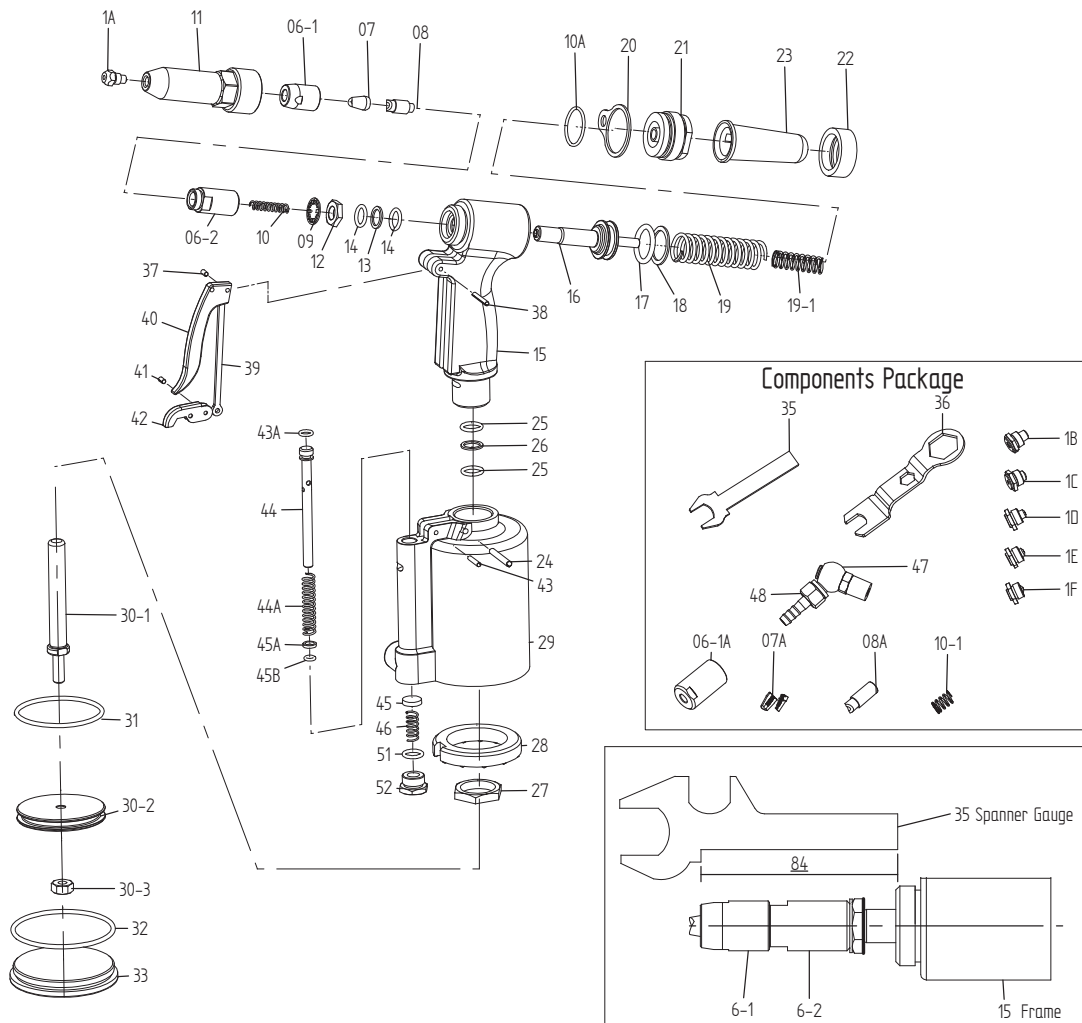


Part List of SG-0814



PART NO.	DESCRIPTION	PART NO.	DESCRIPTION
1A	Nosepiece $\phi 4.4$ (for 1/4" Rivet)	25	O Ring
1B	Nosepiece $\phi 4.0$ (for 7/32" Rivet)	26	Back Up Ring
1C	Nosepiece $\phi 3.4$ (for 3/16" Rivet)	27	Frame Lock Nut
1D	Nosepiece $\phi 2.9$ (for 5/32" Rivet)	28	Rubber Cushion
1E	Nosepiece $\phi 2.4$ (for 1/8" Rivet)	29	Air Cylinder
1F	Nosepiece $\phi 1.9$ (for 3/32" Rivet)	30-1	Air Piston Stem
06-1	Jaw Case Front Tart For(1/4", 7/32" 3/16")	30-2	Air Piston
06-1A	Jaw Case Front Tart For(5/32", 1/8" 3/32")	30-3	Air Piston Lock Nut
06-2	Jaw Case End Tart	31	Air Piston O Ring
07	Jaw (1/4", 7/32" 3/16")	32	Cylinder O Ring
07A	Jaw (5/32", 1/8" 3/32")	33	Cylinder Cap
08	Jaw Pusher (1/4", 7/32" 3/16")	35	Spanner Gauge
08A	Jaw Pusher(5/32", 1/8" 3/32")	36	Spanner
09	Case Washer Ring	37	Trigger Pin
10	Jaw Pusher Spring (1/4" ,7/32" 3/16")	38	Connector
10-1	Jaw Pusher Spring(5/32", 1/8" 3/32")	39	Trigger Rod
10A	Frame Cap O Ring	40	Trigger
11	Frame Head	41	Connector
12	Case Lock Nut	42	Trigger Lever
13	Back Up Ring	43	Lever Pin
14	O Ring	43A	Valve Pusher O Ring
15	Frame	44	Valve Pusher
16	Oil Piston	44A	Valve Spring
17	Oil Piston O Ring	45	Valve
18	Back Up Ring	45A	Valve Collar
19	Return Spring(Big)	45B	O Ring
19-1	Return Spring(small)	46	Valve Spring
20	Hanging Clip	47	Inlet Bushing
21	Frame Cap	48	Inlet Bushing Nut
22	Frame Cap Nut	51	O Ring
23	Safety Cap	52	Valve Cap
24	Setting Screw Pin		