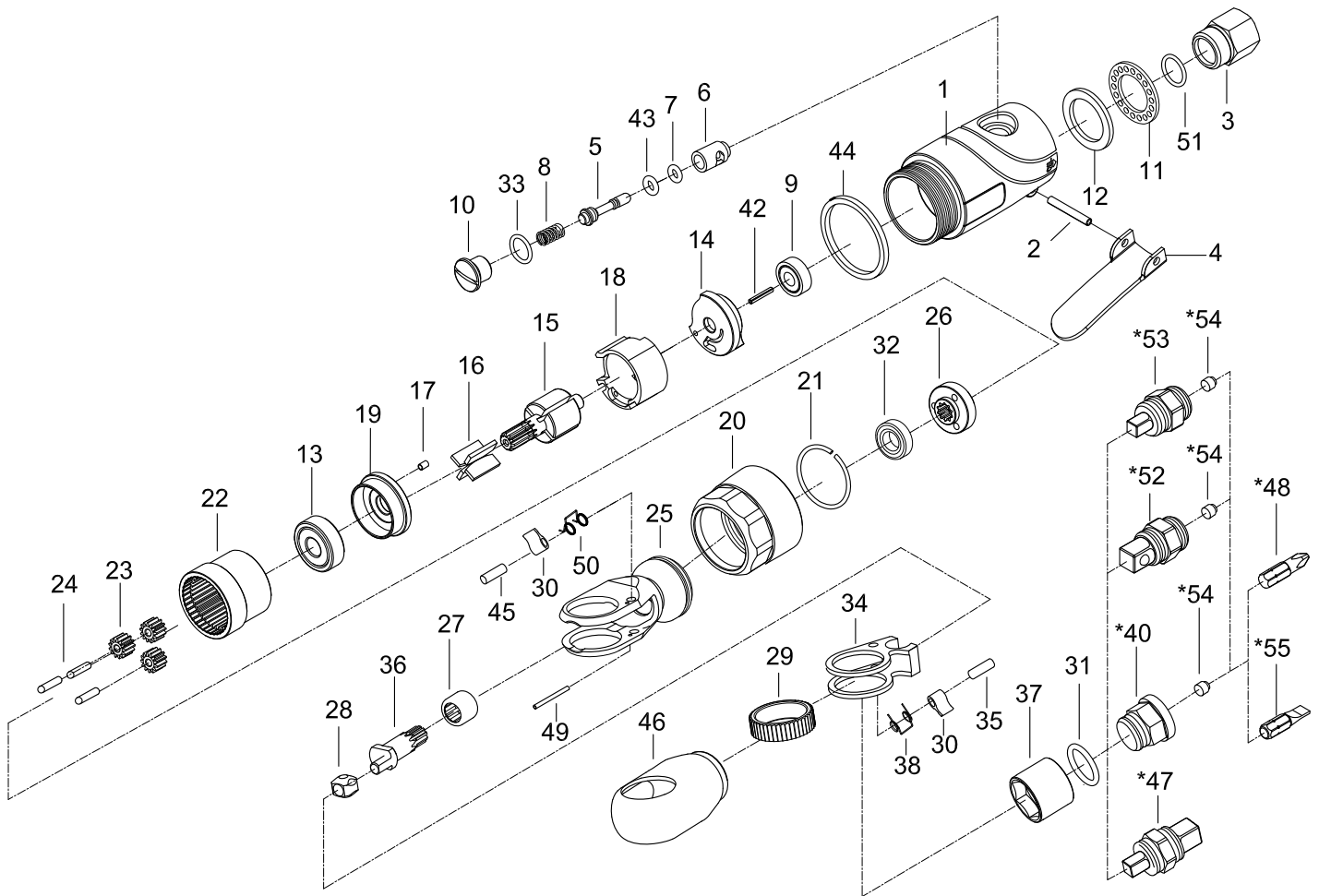


AIR RATCHET WRENCH



| Index No. | Parts No. | Description | Index No. | Parts No. | Description |
|-----------|------------|-------------------------|-----------|--------------|----------------------------|
| 1 | 32-301501 | Housing | 28 | 32-301231 | Drive Bushing |
| 2 | 50102-12 | Spring Pin (3*20L) | 29 | 32-301622 | Ratchet Ring |
| 3 | 32-301503 | Air Inlet | 30 | 32-301637 | Ratchet Pawl (2) |
| 4 | 32-301504 | Throttle lever | 31 | 72009 | O-Ring (15.7*1.7) |
| 5 | 32-301505 | Valve Stem | 32 | 0689ZZ | Bearing (689ZZ) |
| 6 | 32-301506 | Valve Bushing | 33 | 40333 | O-Ring (8*2) |
| 7 | OR00200100 | O-Ring (2*1) | 34 | 32-301632 | Yoke |
| 8 | 32-301508 | Spring | 35 | PN04001108 | Pin (4*11.8L) |
| 9 | 052213 | Ball Bearing (696ZZ) | 36 | 32-301631 | Crank Shaft |
| 10 | 32-301510 | Throttle Valve Plug | 37 | 32-301639 | Socket |
| 11 | 32-301511 | Exhaust Diffuser | 38 | 32-301633 | Torsion Spring |
| 12 | 32-301512 | Damping Material | *40 | 32-301641 | Bit Seat |
| 13 | 030120 | Ball Bearing (608ZZ) | 42 | SP02001200 | Spring Pin (2*12L) |
| 14 | 32-301514 | Rear End Plate | 43 | 30107 | O-Ring (3.8*1.9) |
| 15 | 32-301515 | Rotor | 44 | 32-301555 | Rubber Ring |
| 16 | 32-301516 | Vane(4) | 45 | 805111430000 | Pin (4*17.8L) |
| 17 | 70117-13 | Spring Pin (2.5*5L) | 46 | 32-301653 | Rubber Hat |
| 18 | 32-301518 | Cylinder | *47 | 32-301640 | Square Anvil (3/8" & 1/4") |
| 19 | 32-301519 | Front End Plate | *48 | 32-301620 | Bit |
| 20 | 32-301526 | Clamp Nut | 49 | SP01061800 | Spring Pin (1.6*18L) |
| 21 | 32-301629 | Retainer Ring | 50 | 32-301635 | Torsion Spring |
| 22 | 32-301521 | Internal Gear | 51 | OR01104103 | O-Ring (11.4*1.25) |
| 23 | 32-301523 | Planet Gear (3) | *52 | 32-301642 | Square Anvil (3/8") |
| 24 | PN03051208 | Pin (3) (3.5*12.8L) | *53 | 32-301643 | Square Anvil (1/4") |
| 25 | 32-301628 | Ratchet Housing | *54 | 32-301659 | Column Magnet(3) |
| 26 | 32-301627 | Idler Gear Plate | *55 | 32-301621 | Bit |
| 27 | 0HK0910 | Needle Bearing (HK0910) | | | |

*Optional parts

32-3016-0001