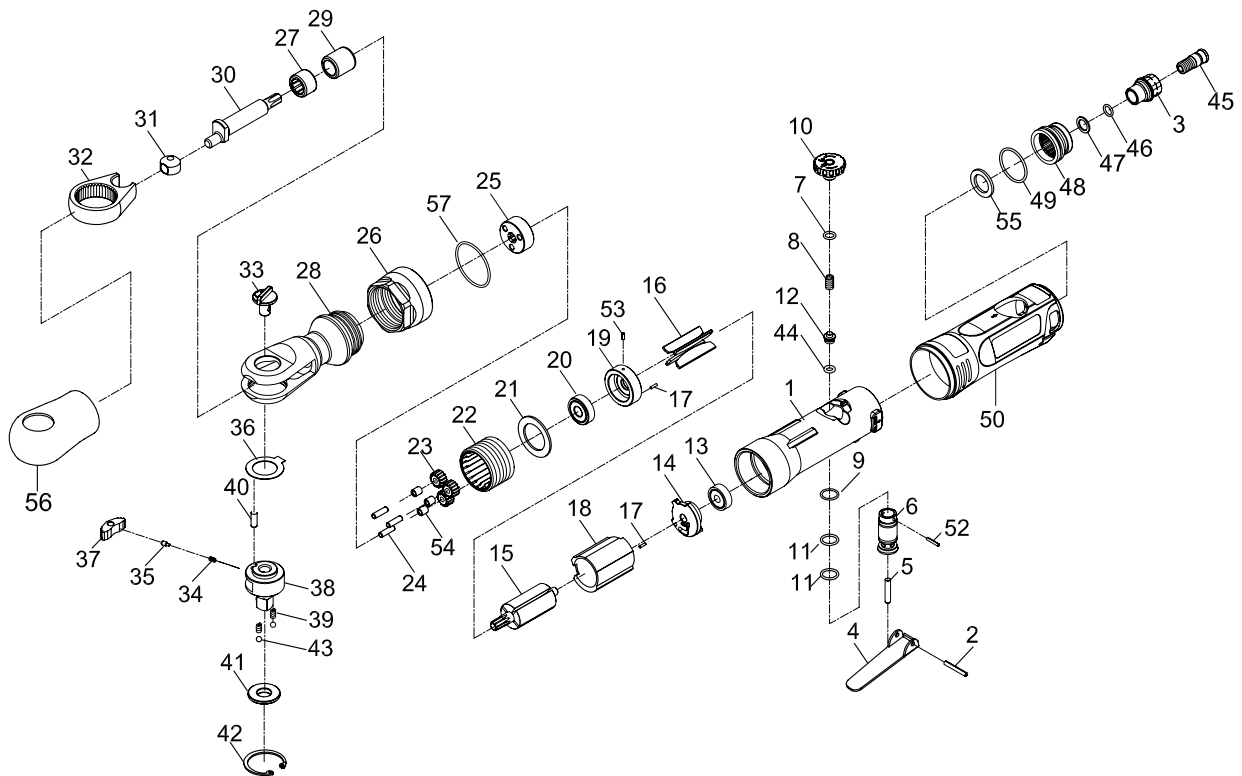


# 1/2" AIR RATCHET WRENCH



| Index No. | Parts No.  | Description   | Index No. | Parts No.  | Description                            |
|-----------|------------|---|-----------|------------|--|
| 1         | 33-301301  | Housing   | 29        | 30129      | Bushing                                |
| 2         | 50102-12   | Spring Pin ( $\varnothing 3 \times 20L$ )           | 30        | 33-301330  | Crank Shaft                            |
| 3         | 522203-21  | Air Inlet   | 31        | 33-301331  | Drive Bushing                          |
| 4         | 33-301304  | Throttle lever                                      | 32        | 33-301332  | Yoke                                   |
| 5         | 33-301305  | Throttle Valve                                      | 33        | 33-301333  | Reverse Button                         |
| 6         | 33-301306  | Bushing   | 34        | 33-301334  | Spring                                 |
| 7         | 72804      | O-Ring ( $6.5 \times 1.5$ )                         | 35        | 33-301335  | Lock Pin                               |
| 8         | 33-301308  | Spring  | 36        | 30136      | Washer                                 |
| 9         | OR01104103 | O-Ring ( $11.4 \times 1.25$ )                       | 37        | 30137      | Ratchet Pawl                           |
| 10        | 33-301310  | Knob  | 38        | 31138      | Ratchet Anvil 1/2"                     |
| 11        | OR01007105 | O-Ring(2) ( $10.7 \times 1.5$ )                     | 39        | 30139      | Spring (2)                             |
| 12        | 33-301307  | Throttle Valve                                      | 40        | 30140      | Pin ( $\varnothing 4.5 \times 12.7L$ ) |
| 13        | 052213     | Ball Bearing ( $696ZZ$ )                            | 41        | 34-301341  | Thrust Washer                          |
| 14        | 301114     | Rear End Plate                                      | 42        | 30142      | Retainer Ring (RTW-31.5)               |
| 15        | 30115      | Rotor   | 43        | 30143      | Steel Ball (2) ( $5/32"$ )             |
| 16        | 30116      | Rotor Blade(4)                                      | 44        | 30107      | O-Ring ( $3.8 \times 1.9$ )            |
| 17        | 30117      | Pin(2) ( $\varnothing 1.5 \times 6L$ )              | 45        | 33-301341  | Fixed Shaft                            |
| 18        | 50118      | Cylinder  | 46        | OR00705105 | O-Ring ( $7.5 \times 1.5$ )            |
| 19        | 33-301319  | Front End Plate                                     | 47        | 522243     | Washer                                 |
| 20        | 030120     | Ball Bearing ( $608ZZ$ )                            | 48        | 33-302311  | Deflector                              |
| 21        | 30121      | Washer  | 49        | OR02607108 | O-Ring ( $26.7 \times 1.78$ )          |
| 22        | 30122      | Thread Ring Gear                                    | 50        | 33-301352  | Grip                                   |
| 23        | 33-3013L23 | Idler Gear (3)                                      | 52        | SP02001200 | Spring Pin ( $2 \times 12L$ )          |
| 24        | 30124      | Idler Gear Pin (3) ( $\varnothing 4 \times 13.8L$ ) | 53        | 70117      | Spring Pin ( $2 \times 5L$ )           |
| 25        | 30125      | Idler Gear Plate                                    | 54        | 80225      | Bushing (3)                            |
| 26        | 301126     | Clamp Nut   | 55        | 33-302312  | Damping Material                       |
| 27        | 030129     | Needle Bearing                                      | 56        | 30152      | Rubber Hat                             |
| 28        | 33-301328  | Ratchet Housing                                     | 57        | P91237     | O-Ring ( $29.4 \times 3.1$ )           |

34-3023-0001