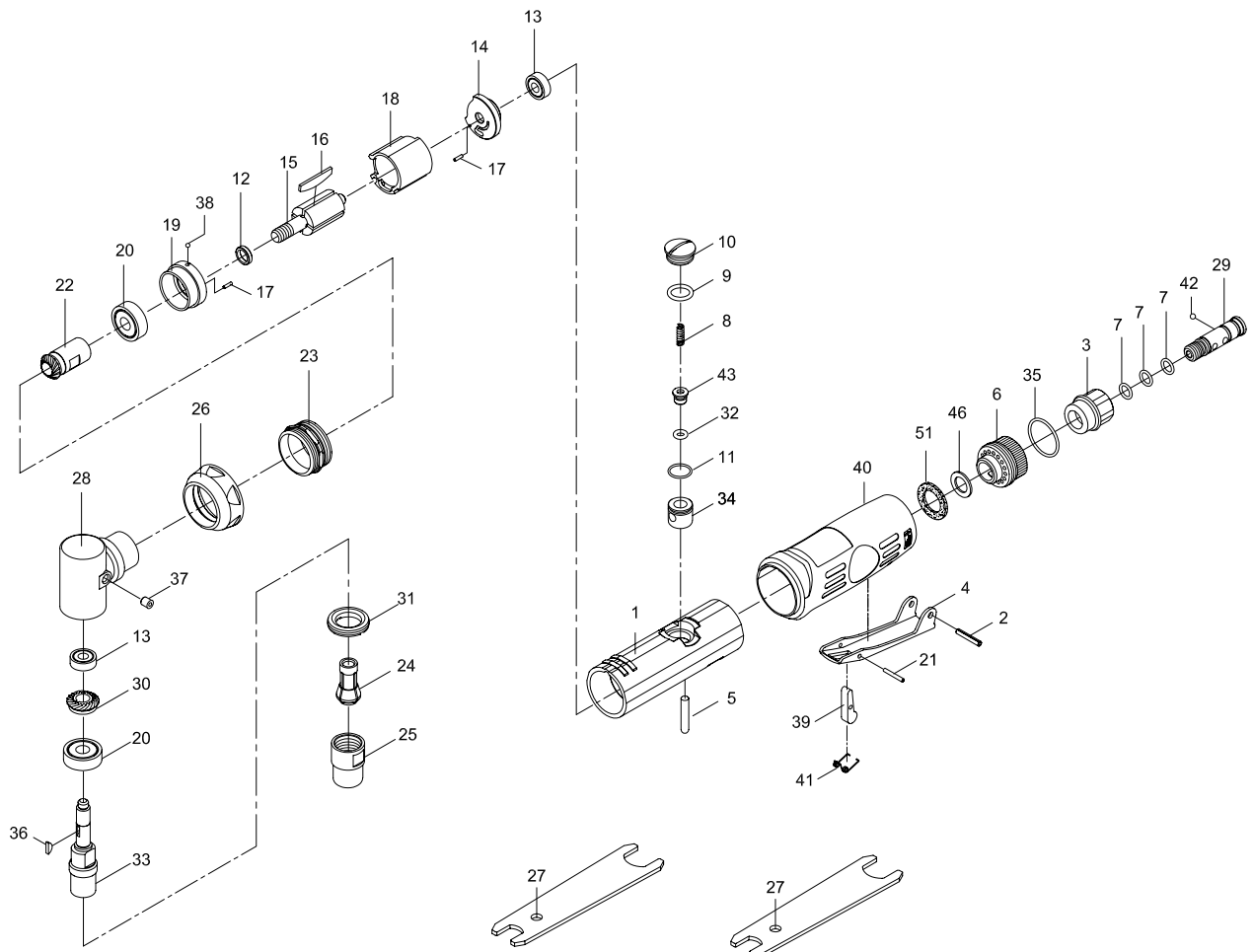


# 90° RIGHT ANGLE DIE GRINDER



| Index No. | Parts No.  | Description              | Index No. | Parts No.  | Description        |
|-----------|------------|--------------------------|-----------|------------|--------------------|
| 1         | 52-522501  | Motor Housing            | 24        | 51224      | Collet             |
| 2         | 40337      | Lever Pin (3x18L)        | 25        | 52225      | Collet Nut         |
| 3         | 52-522503  | Air Inlet                | 26        | 522226     | Front Cap          |
| 4         | 52-522504  | Throttle Lever           | 27        | 52227      | Spanner (2)        |
| 5         | 52-522505  | Valve Shaft              | 28        | 56228      | Head               |
| 6         | 52-522506  | Deflector                | 29        | 52-522541  | Fixed Shaft        |
| 7         | OR00705105 | O-Ring (3) (7.5x1.5)     | 30        | 52230      | Bevel Gear         |
| 8         | 522208     | Spring                   | 31        | 52231      | Lock Ring          |
| 9         | 70109      | O-Ring (9.8x1.9)         | 32        | 30107      | O-Ring (3.8x1.9)   |
| 10        | 52-522510  | Valve Screw              | 33        | 52233      | Spindle            |
| 11        | 52236      | O-Ring (10.5x1)          | 34        | 522236     | Bushing            |
| 12        | 52212      | Rotor Spacer             | 35        | OR02105105 | O-Ring (21.5x1.5)  |
| 13        | 052213     | Ball Bearing (2) (696ZZ) | 36        | 52232      | Key                |
| 14        | 52214      | Rear End Plate           | 37        | 56237      | Oil Cap (3/16")    |
| 15        | 52215      | Rotor                    | 38        | 52245      | Steel Ball (3/32") |
| 16        | 52216      | Vane (4)                 | 39        | 51540      | Safety Bar         |
| 17        | 30117      | Spring Pin (2) (1.5x6)   | 40        | 52-522553  | Grip               |
| 18        | 52218      | Cylinder                 | 41        | 522212     | Spring             |
| 19        | 52219      | Front End Plate          | 42        | 40145      | Steel Ball (1/8")  |
| 20        | 030120     | Ball Bearing (2) (608ZZ) | 43        | 522240     | Throttle Valve     |
| 21        | 522220     | Spring Pin (2x15L)       | 46        | 522243     | Washer             |
| 22        | 52222      | Pinion Gear              | 51        | 522250     | Damping Material   |
| 23        | 522223     | Front Coupling           |           |            |                    |

52-52252-0001