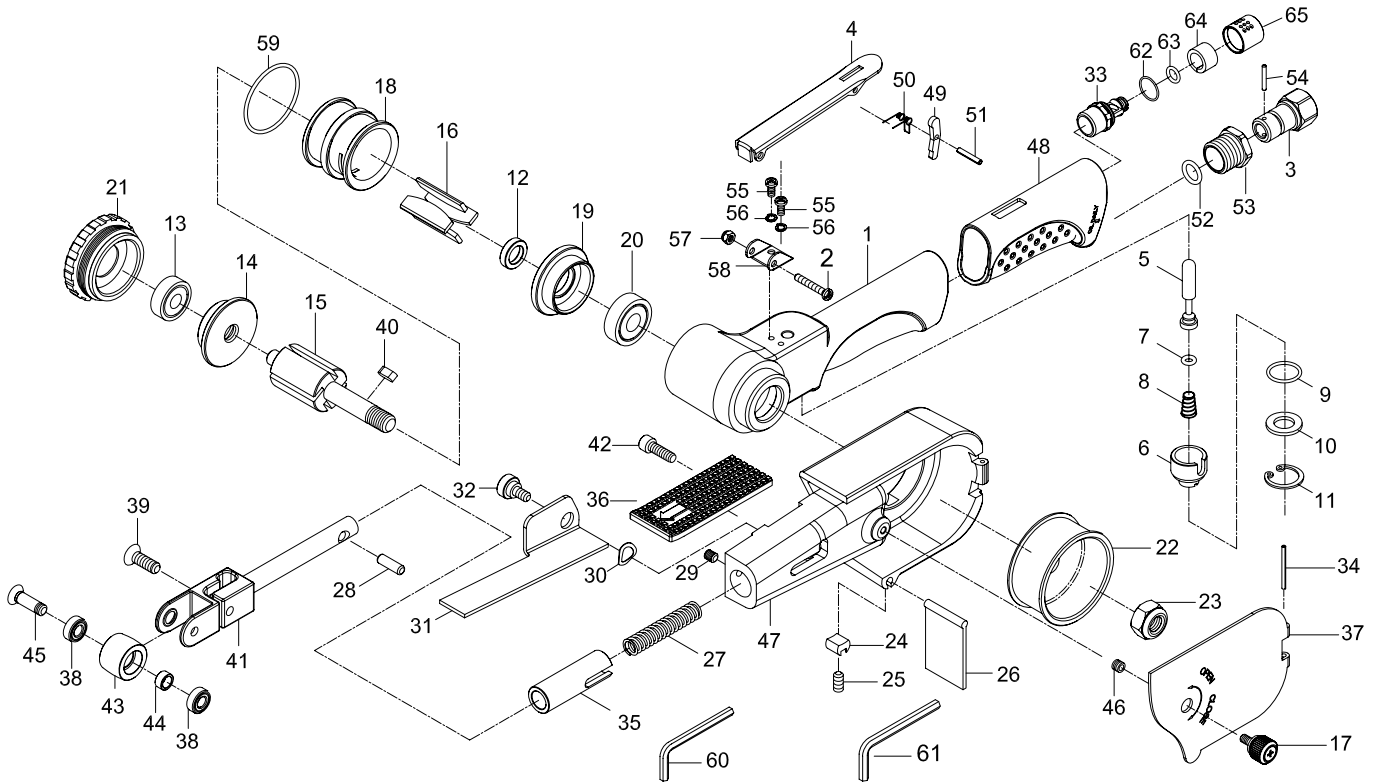


# BELT SANDER



Index No.	Parts No.	Description	Index No.	Parts No.	Description
1	62001	Housing	34	SP02002600	Spring Pin (2*26L)
2	6T-620030	Screw (M4*25L)	35	6T-620235	Bushing
3	6T-620003	Air Inlet	36	6T-620236	Finger Pad
4	6T-620004	Throttle Lever	37	6T-620237	Guard
5	62005	Valve Stem	38	062045	Ball Bearing (2) (686ZZ)
6	62006	Valve	39	6T-620248	Screw (M6*18L)
7	30107	O-Ring (3.9*1.9)	40	62017	Key (4*4*10)
8	62008	Spring	41	6T-620241	Tension Bar
9	62009	O-Ring (14.5*1.5)	42	40343	Screw (M5*16L)
10	62010	Spacer	43	6T-620243	Idle Pulley
11	62011	Retaining Ring (RTW-18)	44	6T-620250	Spacer
12	62012	Spacer	45	6T-620244	Screw
13	030120	Ball Bearing (608ZZ)	46	6T-620146	Screw Thread Inserts(#8-32UNC*1D)
14	62014	Rear End Plate	47	6T-620202	Guard Body
15	6T-620215-12	Rotor	48	6T-620052	Grip
16	62016-12	Rotor Blade (4)	49	51540-228	Safety Bar
17	6T-620107	Screw	50	51541-12	Spring
18	62018	Cylinder	51	40337	Spring Pin (3*18L)
19	62019	Front End Plate	52	40130	O-Ring (8.8*1.7)
20	051220	Ball Bearing (6000ZZ)	53	6T-620007	Screw
21	62021	Cap	54	PN02001308	PIN (2*13.8)
22	6T-620247	Drive Pulley	55	6T-620032	Screw (2) (M4*8L)
23	62023	Nut (M10)	56	40147	Spring Washer (2) (M4)
24	6T-620207	Guard Body Luck	57	6T-620034	Nut (M4)
25	6T-620211	Screw (M5*10L)	58	6T-620031	Lever Support
26	62026	Dust Cover	59	OR02607108	O-Ring (26.7*1.78)
27	6T-620240	Spring	60	10014	Hex. Key Wrench (4mm)
28	PN05001508	Pin (5*15.8L)	61	10010	Hex. Key Wrench (2.5mm)
29	40340	Screw (M5*5L)	62	82209	O-Ring (14*1)
30	WW8	Wave Washer (WW8)	63	76010	O-Ring (5.8*1.9)
31	6T-620224	Flat Shoe	64	66-6133C25	Muffler
32	6T-620221	Screw	65	66-6133C24	Exhaust Sleeve
33	66-6133C23	Exhaust Shaft			