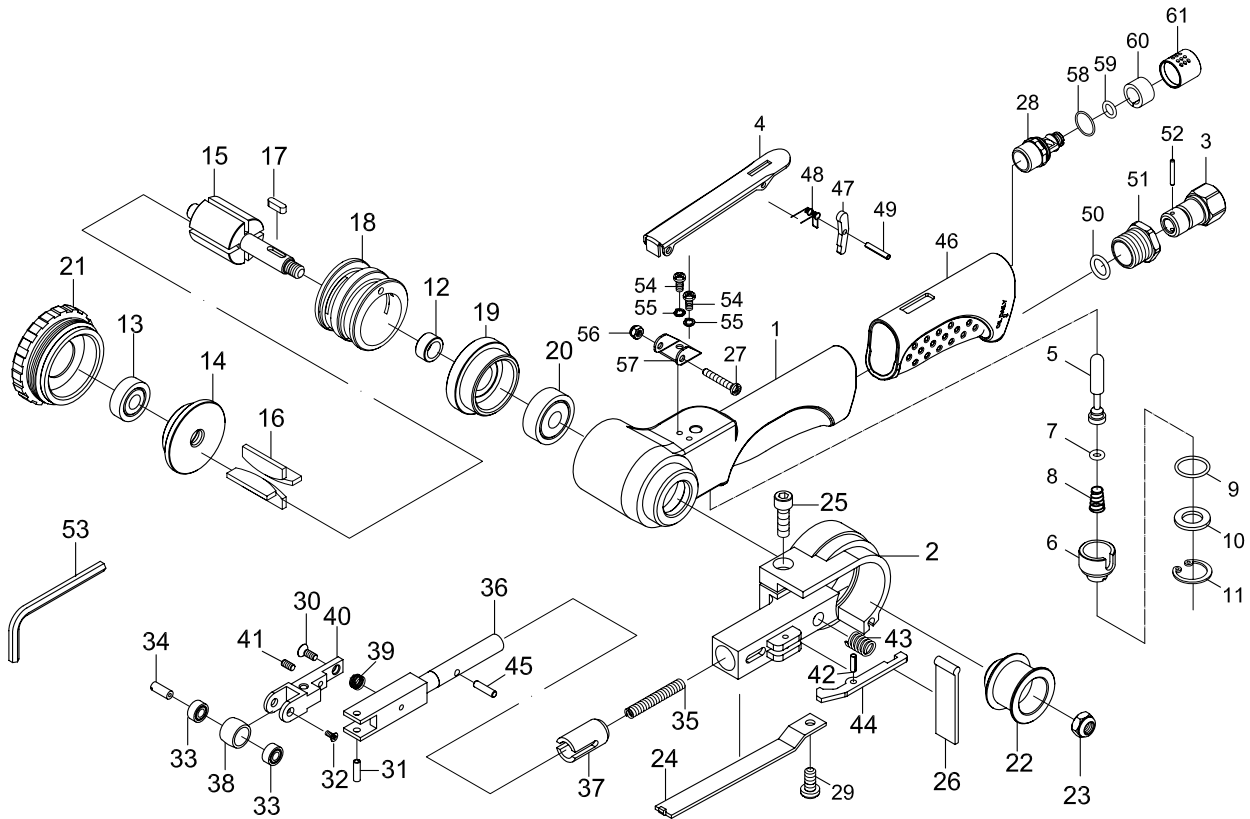


BELT SANDER



Index No.	Parts No.	Description	Index No.	Parts No.	Description
1	61001	Motor Housing	32	61037	Screw (M2x5)
2	61002	Guard	33	061038	Ball Bearing (2) (684zz)
3	6T-620003	Air Inlet	34	61039	Idle Pulley Shaft
4	6T-620004	Throttle Lever	35	61040	Spring
5	62005	Valve Stem	36	61041	Tension Bar
6	62006	Valve	37	61042	Bushing
7	30107	O-Ring (3.9x1.9)	38	61043	Idle Pulley
8	62008	Spring	39	61044	Spring
9	62009	O-Ring (14.5x1.5)	40	61045	Bracket
10	62010	Spacer	41	61046	Screw (M3x6)
11	62011	Retaining Ring (RTW-18)	42	61048	Spring Pin (2.5x8)
12	61012	Spacer	43	61049	Spring
13	051825	Ball Bearing (607zz)	44	61050	Safety Lever
14	61014	Rear End Plate	45	61249	Lock Pin (3x11.8)
15	61015	Rotor	46	6T-620052	Grip
16	61016	Rotor Blade (4)	47	51540-228	Safety Bar
17	61017	Key (3x3x10)	48	51541-12	Spring
18	61018	Cylinder	49	40337	Spring Pin (3*18L)
19	61019	Front End Plate	50	40130	O-Ring (8.8*1.7)
20	061020	Ball Bearing (628zz)	51	6T-620007	Screw
21	61021	Cap	52	PN02001308	Pin (2*13.8)
22	61222	Drive Pulley	53	10014	Hex. Key Wrench (4mm)
23	63042	Hexagon Nut (M6)	54	6T-620032	Screw (2) (M4*8L)
24	61024	Shoe	55	40147	Spring Washer (2)
25	40343	Bolt (M5x16)	56	6T-620034	Nut (M4)
26	61026	Dust Cover	57	6T-620031	Lever Support
27	6T-620030	Screw (M4x25L)	58	82209	O-Ring (14x1)
28	66-6133C23	Exhaust Shaft	59	76010	O-Ring (5.8x1.9)
29	62032	Screw (M4x8)	60	66-6133C25	Muffler
30	61035	Screw (M3x8)	61	66-6133C24	Exhaust Sleeve
31	61036	Spring Pin (3x10)			