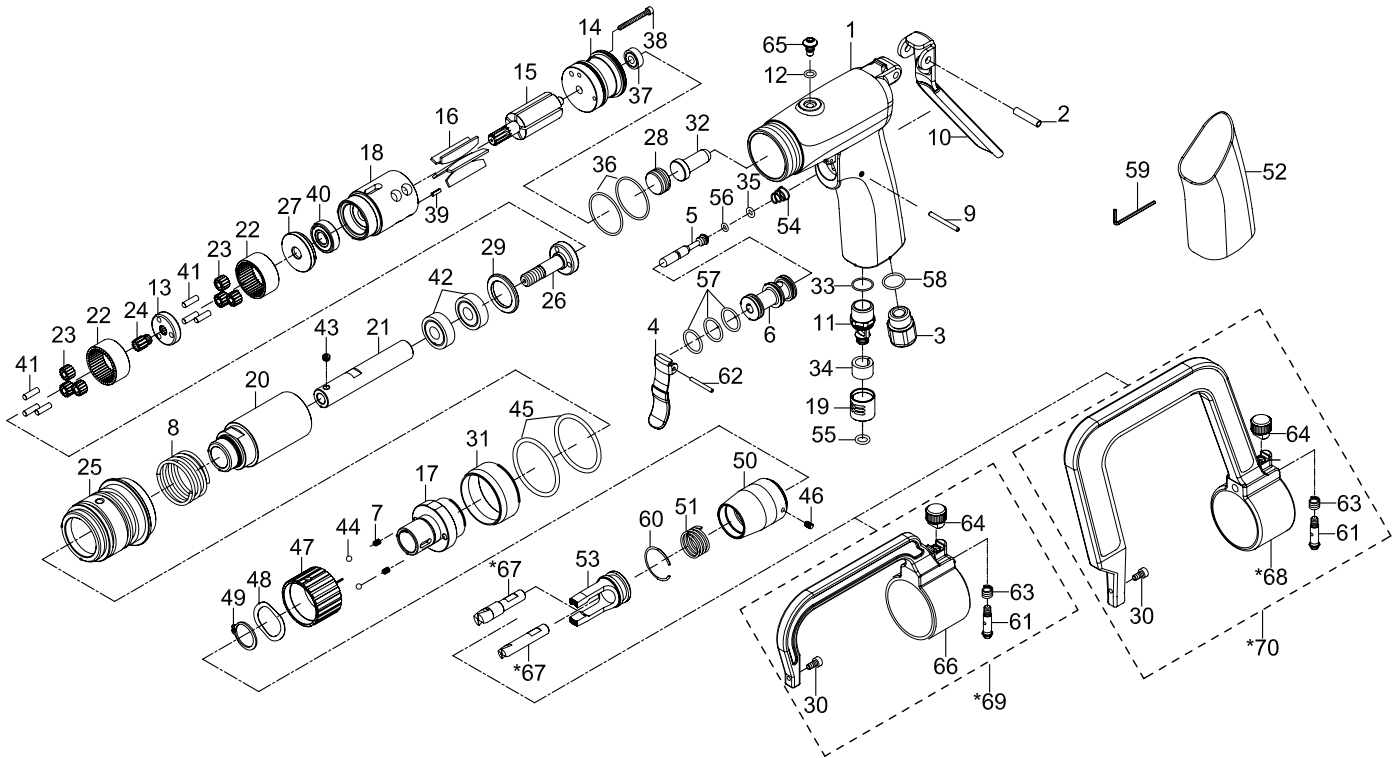


SPOT DRILL



Index No.	Parts No.	Description	Index No.	Parts No.	Description
1	71-780201	Motor Housing	37	052213	Ball Bearing (696zz)
2	SP05002400	Spring Pin (5*24)	38	6E-610031	Screw (M3*30)
3	66-6133C03	Air Inlet	39	61048	Spring Pin (2.5*8)
4	71-780136	Throttle Lever	40	07280421	Ball Bearing (609zz)
5	71-780105	Valve Stem	41	30124	Pin(6) (4*13.8)
6	71-780106	Valve	42	06000ZZ-2A	Ball Bearing(2) (6000zz)
7	71-780107	Spring(2)	43	71946	Set Screw (M5*4)
8	71-780108	Spring	44	30143	Steel Ball(2) (5/32")
9	PN03002908	Pin (3*29.8)	45	OR03200300	O-Ring(2) (32*3)
10	71-780110	Push Arm	46	70122	Set Screw (M4*6)
11	66-6133C23	Exhaust Shaft	47	72147	Adjusting Nut
12	20507	O-Ring (S6)	48	72139	Wave Washer
13	71-780113	Gear Plate	49	72140	Retaining Ring (STW-22)
14	71-780214	Rear End Plate	50	72142	Adjust Attachment
15	71-780115	Rotor	51	72144	Spring
16	80216	Rotor Blades (5)	52	71-780152	Grip
17	71-780117	Adjusting Seat	53	72146	Supporter
18	71-780118	Cylinder	54	71-780137	Spring
19	66-6133C24	Exhaust Sleeve	55	76010	O-Ring (5.8*1.9)
20	71-780120	Gear Housing	56	63036	O-Ring (3.5*1.5)
21	71-780121	Bit Holder	57	72009	O-Ring(3) (15.7*1.7)
22	71-780122	Internal Gear(2)	58	82247	O-Ring (13.5*1.5)
23	71-780123	Planet Gear (6)	59	10010	Spanner (2.5mm)
24	71-780124	Idler Gear	60	72145	Retainer (STW-22)
25	71-780125	Clamp Cage	61	71-780111	Lock Bar
26	71-780126	Work Spindle	62	80202	Spring Pin (2.5*24)
27	71-780127	Bearing Cap	63	71-780133	Spring
28	71-780242	Screw	64	71-780134	Knob
29	71-780129	Washer	65	71-780135	Screw (M6*1)
30	71-780130	Screw (M4*8)	66	71-780128	Steady Frame (2")
31	71-780131	Clamp Nut		71-780139	Spot Weld Drill Bit (Ø10)
32	71-780232	Steel Bar	*67	71-780140	Spot Weld Drill Bit (Ø8)
33	82209	O-Ring (14*1)	*68	71-780148	Steady Frame (5")
34	66-6133C25	Muffler	*69	71-780128-11S	Steady Frame Set (2")
35	30107	O-Ring (5.8*1.9)	*70	71-780148-11S	Steady Frame Set (5")
36	OR03100105	O-Ring(2) (31*1.5)			

*Optional part

71-7802-0001

05.25.2009